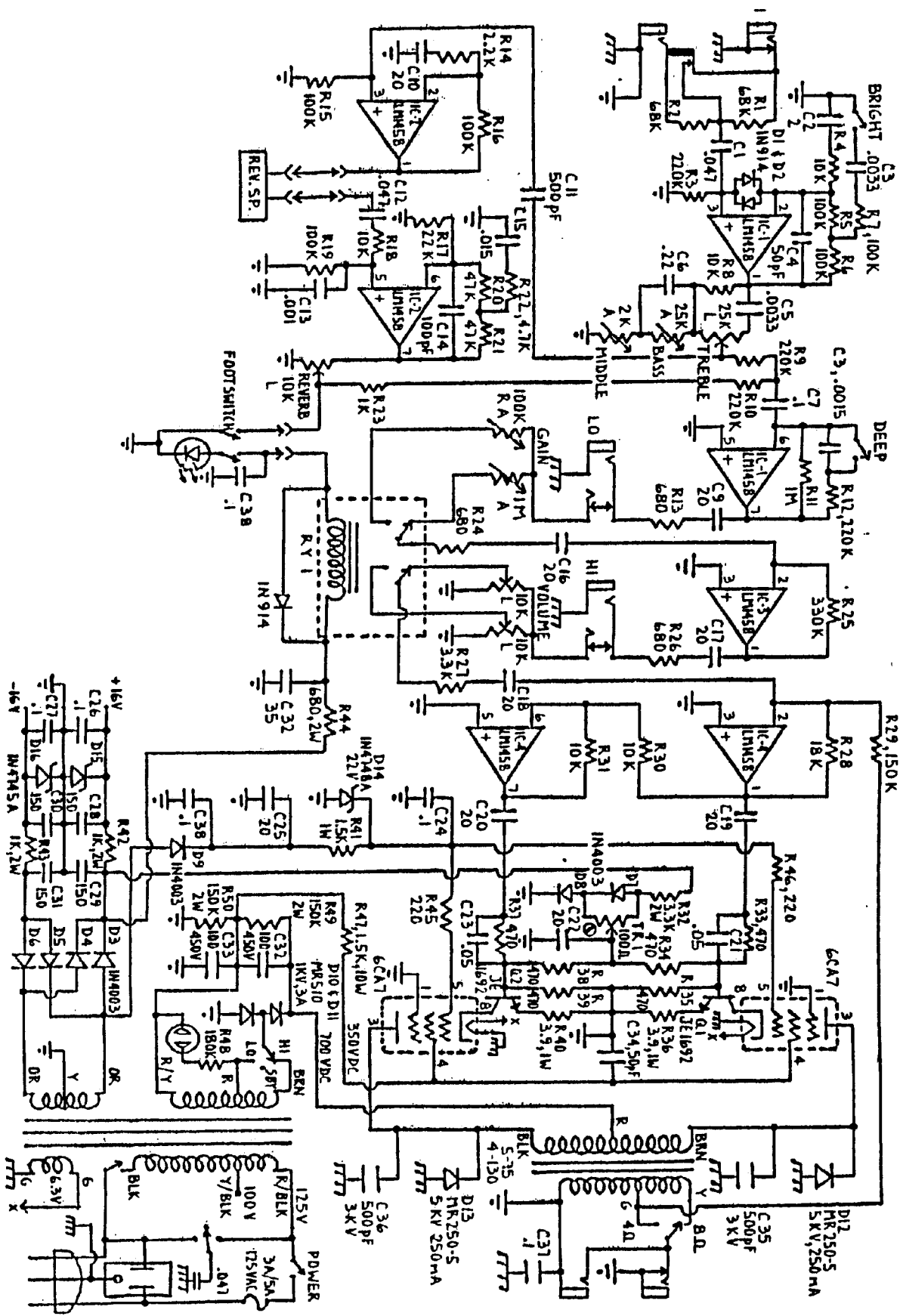


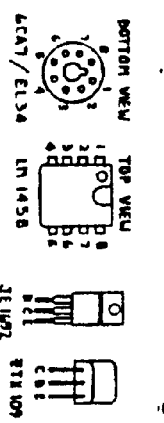
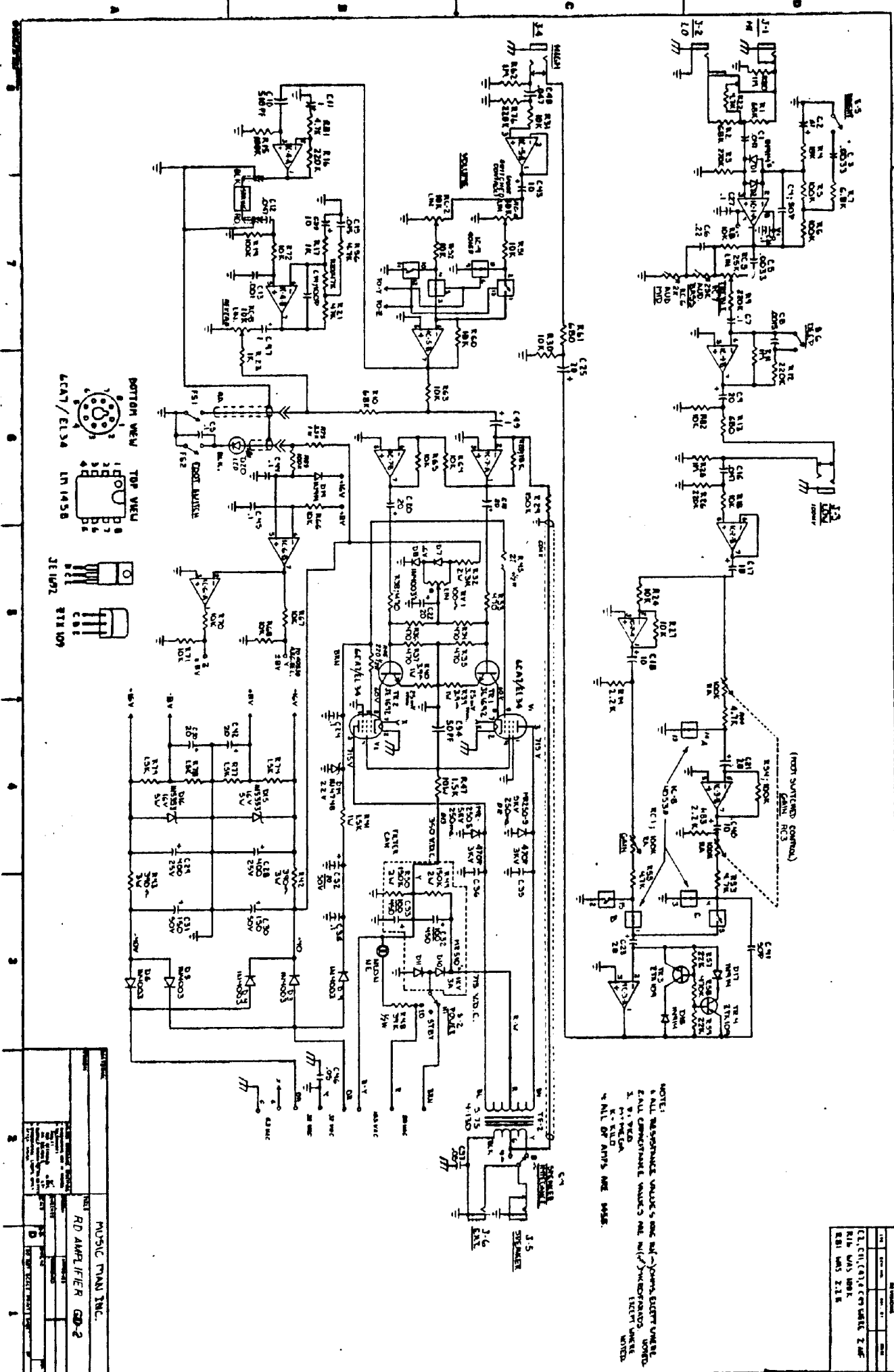


Amplifier Schematics

Chassis Numbers: 2165-RD and 2100-RD



CHASSIS № 2165-RD £ 2100-RD
GD-1
MUSIC MAN INC.
ANAHEIM, CA.



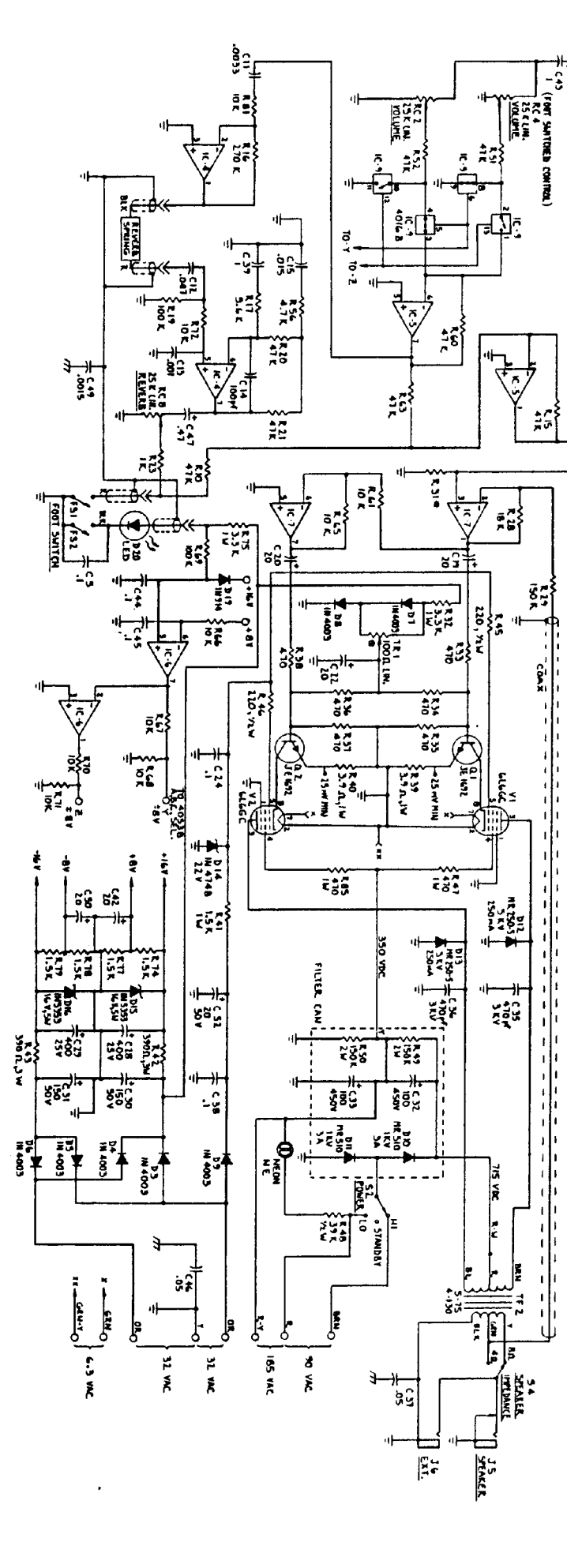
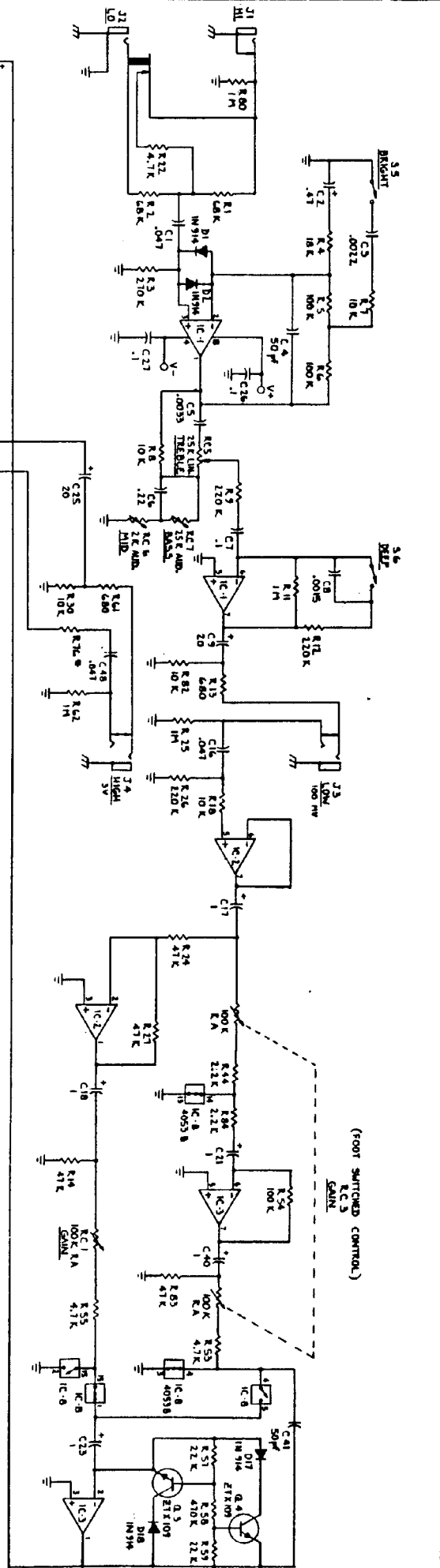
REVISIONS

REV.	DATE	DESCRIPTION
1		
2		
3		
4		
5		
6		
7		
8		
9		
10		

MUSIC MAN, INC.

REV.	DATE	DESCRIPTION
1		
2		
3		
4		
5		
6		
7		
8		
9		
10		

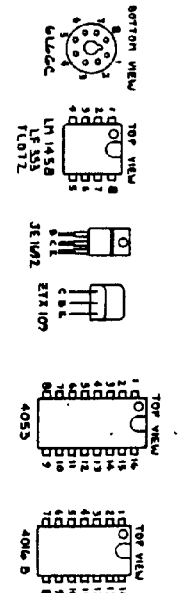
REV.	DATE	DESCRIPTION
1		
2		
3		
4		
5		
6		
7		
8		
9		
10		



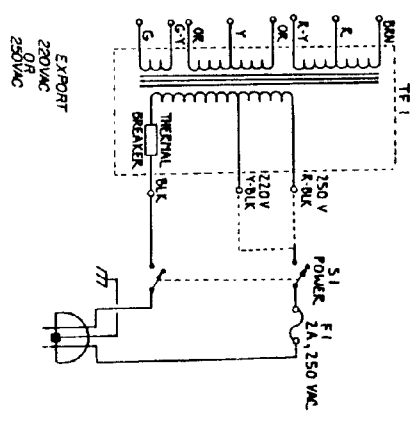
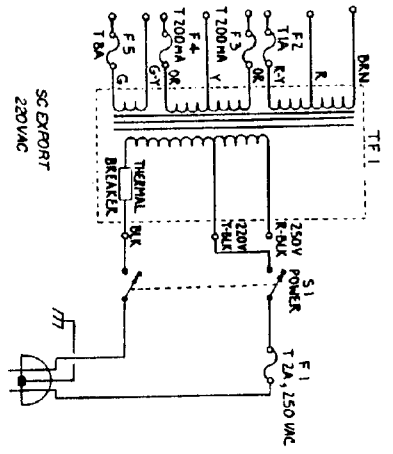
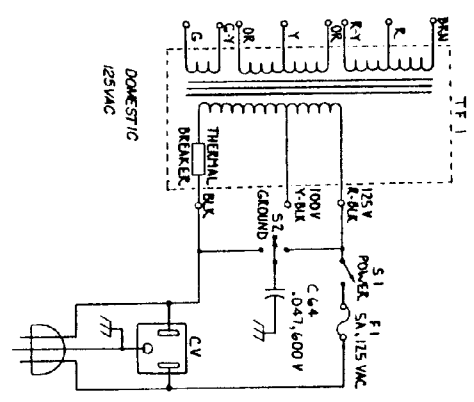
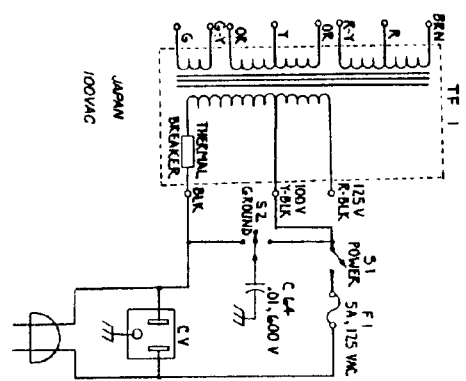
COMPONENT VALUES

R51	100K
R52	220K
R53	100K
R54	56K
R55	22K

- NOTE: 1. ALL RESISTANCE VALUES ARE IN OHMS (Ω) EXCEPT WHERE NOTED.
2. ALL CAPACITANCE VALUES ARE IN MICROGRAMS (μF) EXCEPT WHERE NOTED.
3. IC-2, IC-3, IC-6, IC-7 ARE LM1458 OP AMPS.
4. IC-1, IC-5, IC-4 ARE LF 353 OR TL072 OP AMPS.



DESIGNED BY	J. W. C. G. S. R.
CHECKED BY	R. W. C. G. S. R.
REVISIONS	1.0
DATE	1-1-78
PROJECT	MUSIC MAN INC. AMPLIFIER
DESCRIPTION	SCHEMATIC DIAGRAM -
REVISED BY	R. D. MATHUR/EX. GD-2A
APPROVED	J. W. C. G. S. R.
DATE	1-1-78
SCALE	1:1
PAGE NO.	5001
TOTAL PAGES	10
SHEET	1 OF 1



- TF 1 PART NUMBERS
- 100-65 — 6.5 W, 75 W, 100-125 VAC
 - 100-65-250 — 6.5 W, 75 W, 220-250 VAC
 - 200-130 — 100 W, 150 W, 100-115 VAC
 - 200-130-250 — 100 W, 150 W, 220-250 VAC

POWER TRANSFORMER DIAGRAM	
Part No.	5002
Manufacturer	MUSIC MAN INC.
Location	ANN ARBOR, MI.

RD and RP 65 and 100 SERIES PARTS LIST

- Output Transformer- 65 Watt
- Output Transformer- 100 Watt
- Power Transformer - 65 Watt
- Power Transformer - 100 Watt
- Tubes 6L6
- Tubes 6CA7 (older models)
- Tube socket, 8 pin
- Filter cover
- Pilot light assembly
- Control knob- black- 0-10
- Fuse 3A 125V- S10-b10
- Fuse cap (push type)
- Fuseholder (screw-in type)
- Switch, toggle SPTI (standby)
- Switch, toggle SPST (power)
- Control, /00K RA (gain)
- Diode IN 4748
- Diode HV 50
- Diode IN 5353 (replaces MR250-5)
- Diode MR 510
- Transistor ZTX 109
- Transistor JH 1692 (2N6292)
- IC TLO72 (LF-353)
- IC MCI 40538
- IC MC 1458
- IC MC 40168
- Reverb Pan
- Reverb input transducer
- Reverb output transducer
- Speaker 10" G/HD
- Speaker 10" Electro-Voice
- Speaker 12" C12G
- Speaker 12" Electro-Voice
- Speaker 15" Electro-Voice

