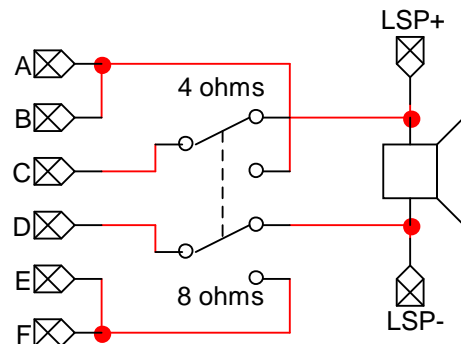


EI 96-40 (32 x 40mm core) M6X
 .06mm gap spacer (.12mm effective).
 Adjust gap for 16mA primary current with 120V rms @ 50Hz

8 ohms: total secondary turns = 84.
 strap: A to B to D, F to C to E.
 4 ohms: total secondary turns = 56.
 strap: A to B, C to LSP+, F to E, D to LSP-
 Exemple using a DPDT switch shown aside.



DA143 Single ended OPT. 3000 Ohms/4 or 8 Ohms.
Ia0: = 70mA, Rpri: 90 Ohms. 30Hz/50Khz -1dB @8Watts
LP/LL//Cshunt : 20H/3mH //450pF. AC losses < 0,4dB.
Copyleft Yves Monmagnon. Feb. 2010