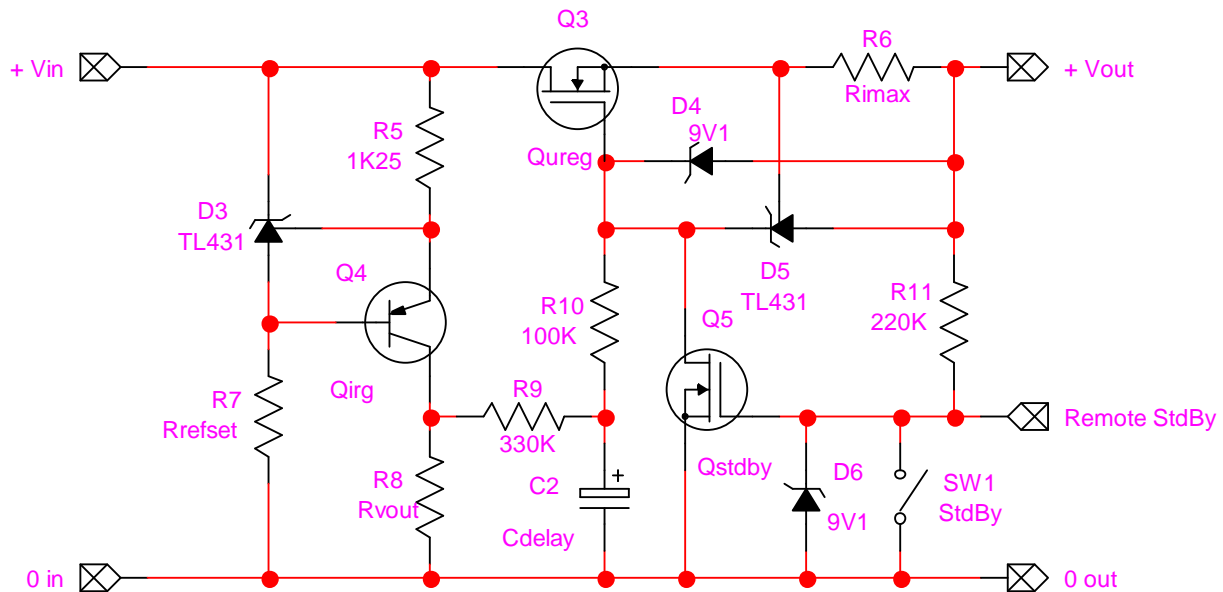


$R_{refset} = V_{in} / 2 K$   
 $R_{vout} = V_{out} / 2 K$   
 $Q_{ureg} V_{ds0} > V_{in}$   
 $Q_{ireg} V_{ce0} > V_{out} - V_{in}$

**Minimalist presetable no feed back pass regulator with startup delay**



$R_{refset} = V_{in} / 2 K$   
 $R_{vout} = V_{out} / 2 K$   
 $Q_{ureg} V_{ds0} > V_{in}$   
 $Q_{ireg} V_{ce0} > V_{out} - V_{in}$   
 $R_{imax} = 2,5 / I_{max}$

**Presetable no feed back pass regulator with startup delay and current limit**