

Sheet: Allins

File: PP-777-2.sch

HT-OUT-RIGHTD

VSC-OUTD

HT-OUT-LEFTD

Sheet: Left

File: PP-777-4.sch

HT-IN-LEFTC

VSC-IN-LEFTC

Sheet: Right

File: PP-777-3.sch

HT-IN-RIGHTC

VSC-IN-RIGHTC

File: PP-777.sch

Sheet: /

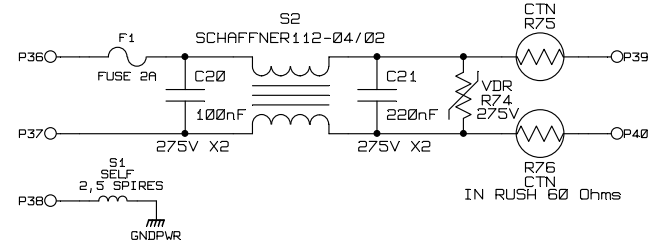
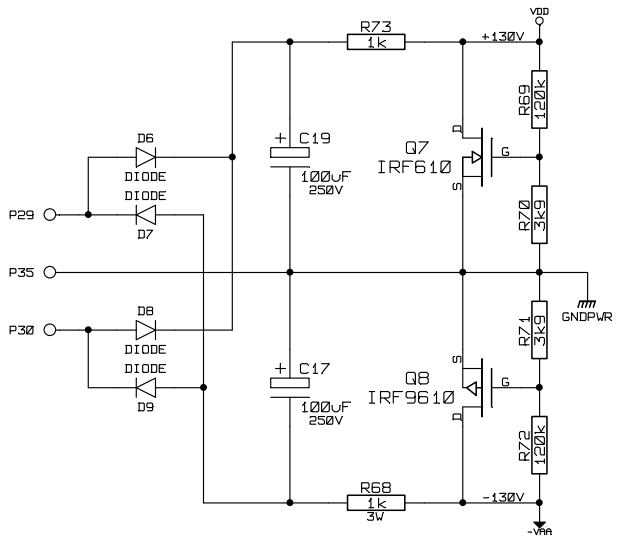
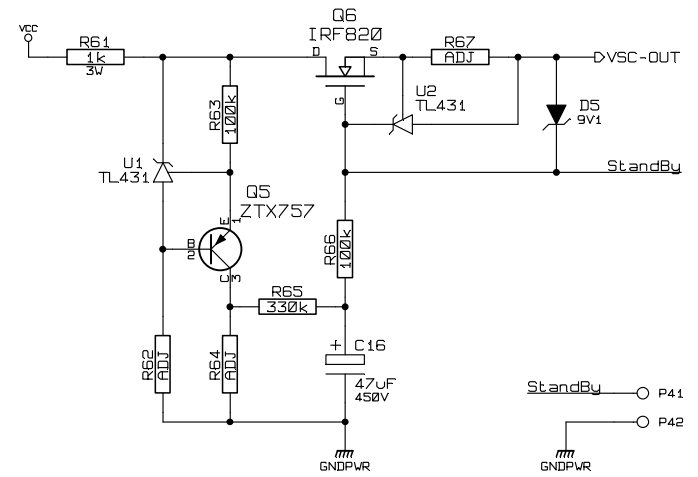
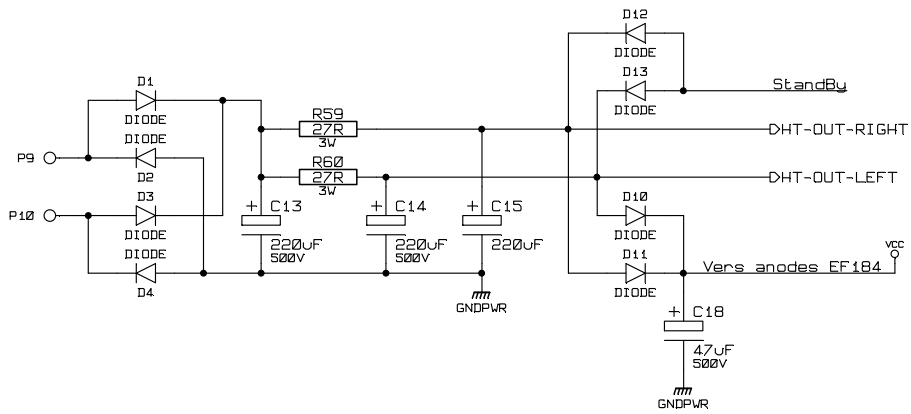
Title: Push Pull Générique 777

Size: A4 Date: 14 oct 2009

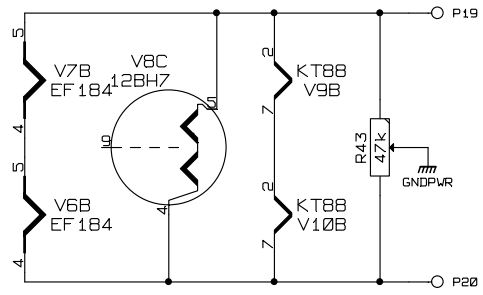
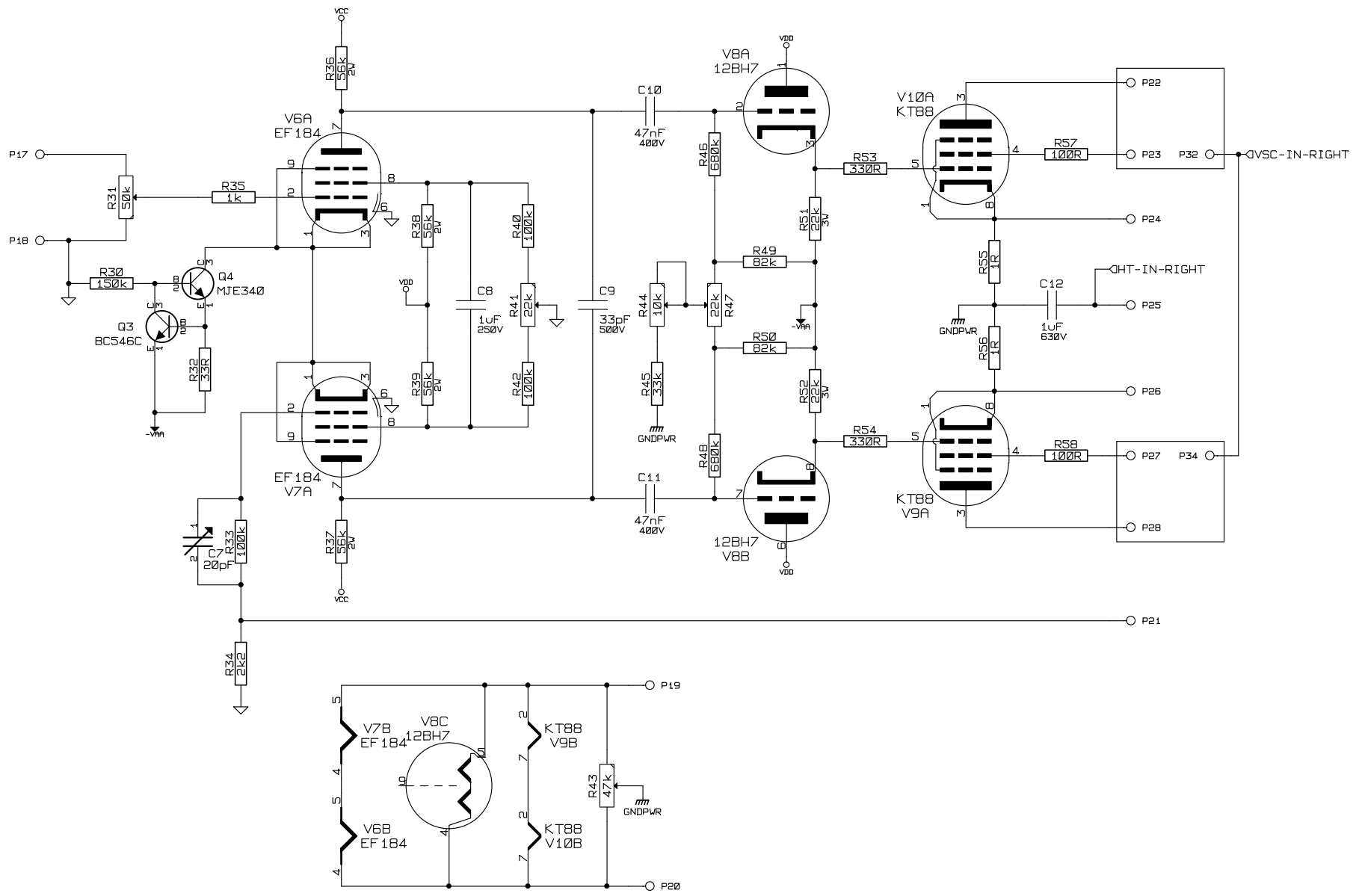
KiCad E.D.A. EESchema (20090216-final)

Rev: A

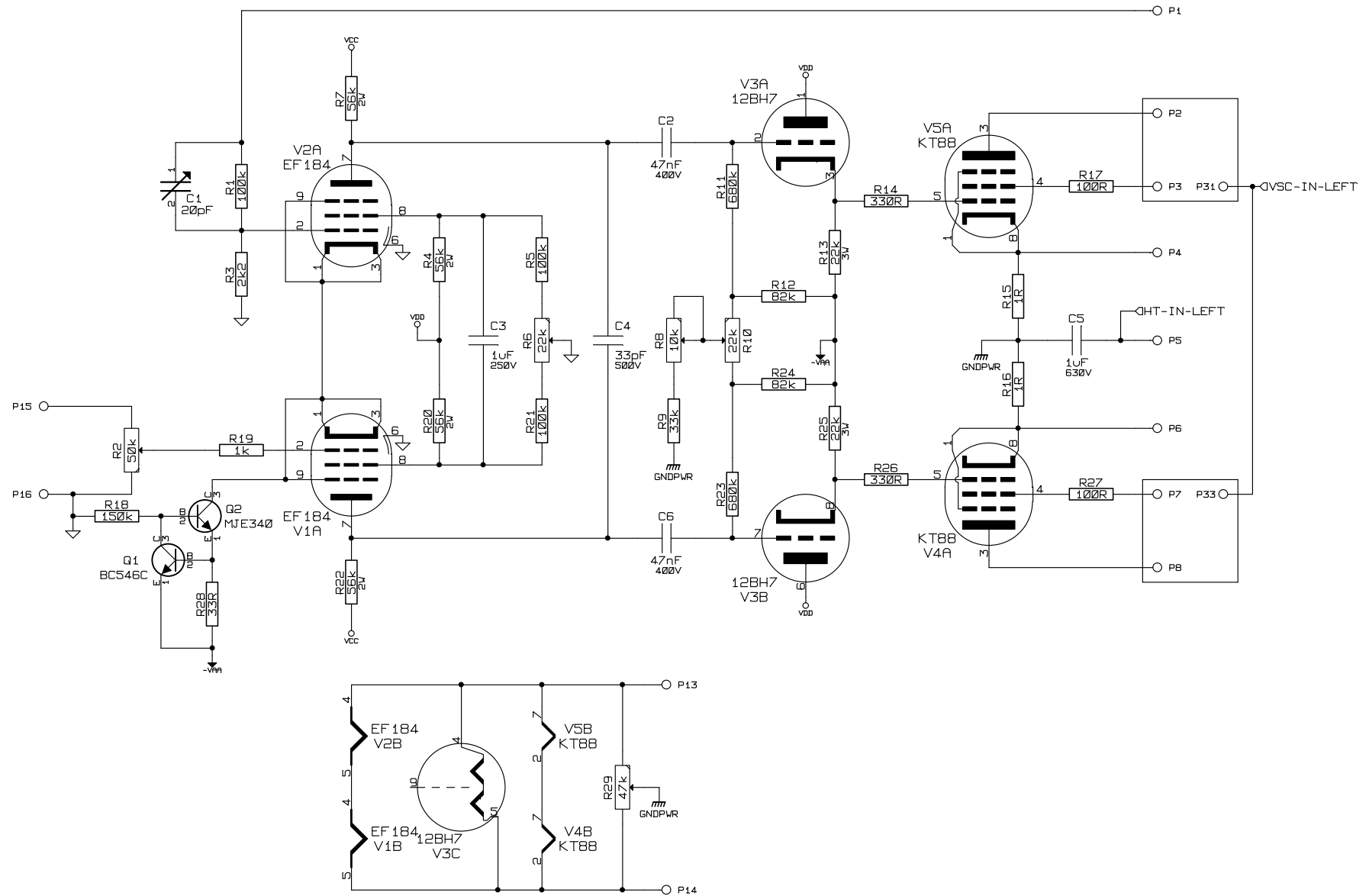
Id: 1/4



File: PP-777-2.sch	
Sheet: /Alims/	
Title: Push Pull Générique 777	
Size: A4	Date: 14 oct 2009
KiCad E.D.A.	EESchema (20090216-final)
Rev: A	Id: 2/4



File: PP-777-3.sch			
Sheet: /Right/			
Title: Push Pull Générique 777			
Size: A4	Date: 14 oct 2009	Rev: A	
KiCad E.D.A. EESchema (20090216-final)		Id: 3/4	



File: PP-777-4.sch		Rev: A	
Sheet: /Left/		Id: 4/4	
Title: Push Pull Générique 777	Size: A4	Date: 14 oct 2009	
KiCad E.D.A. EESchema (20090216-final)			