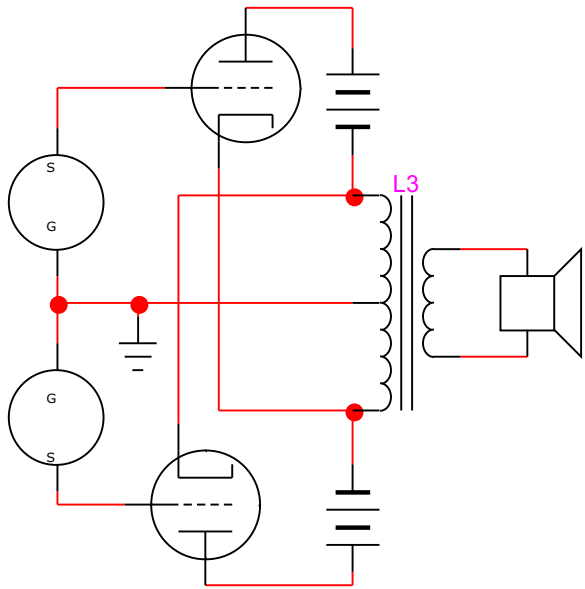
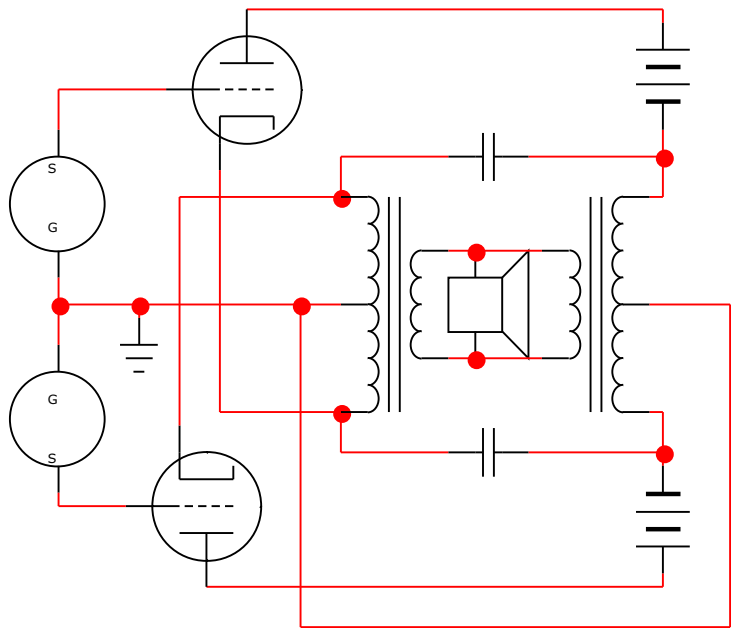


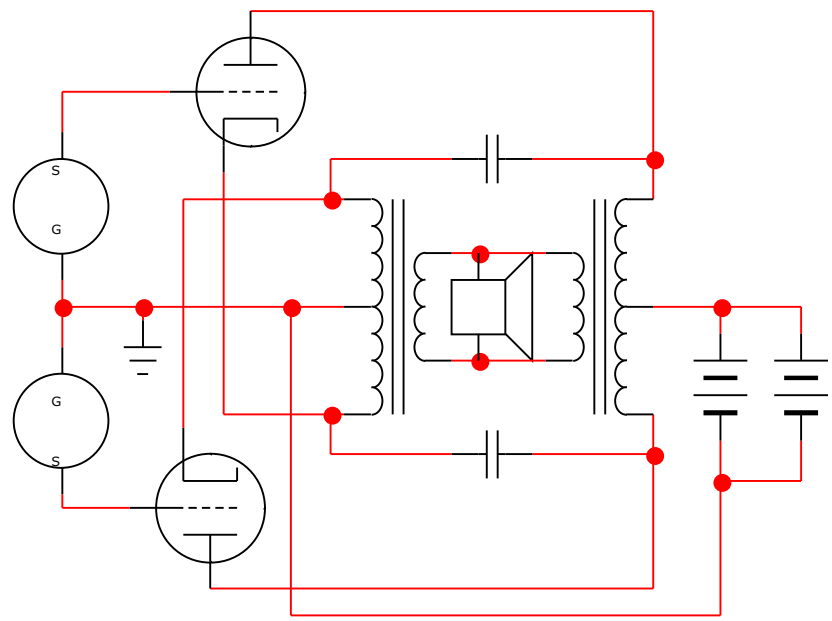
1 Electro Voice Circlotron.
The same OPT loads both anodes and cathodes.
One floating PSU is used in each anode wire.



2 Transitional.
Add a separate OPT for the anodes.
Add caps to improve hi frequency coupling.



3 N.H.Crowhurst "Unity Coupled".
Slide the PSUs thru the anode OPT and merge them.



4 Mc Intosh.
Merge the two OPTs

