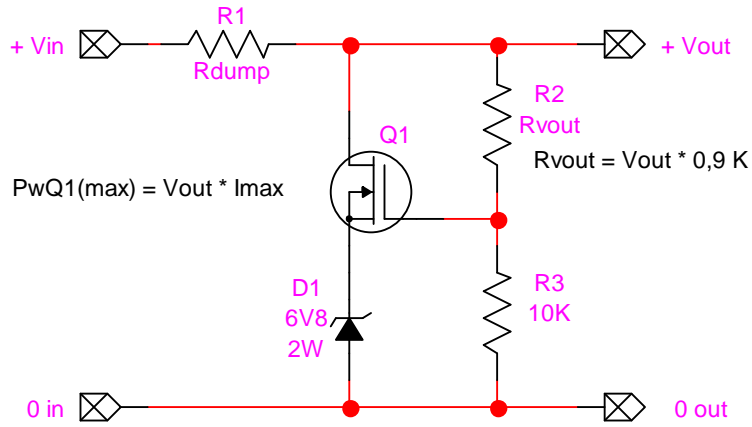
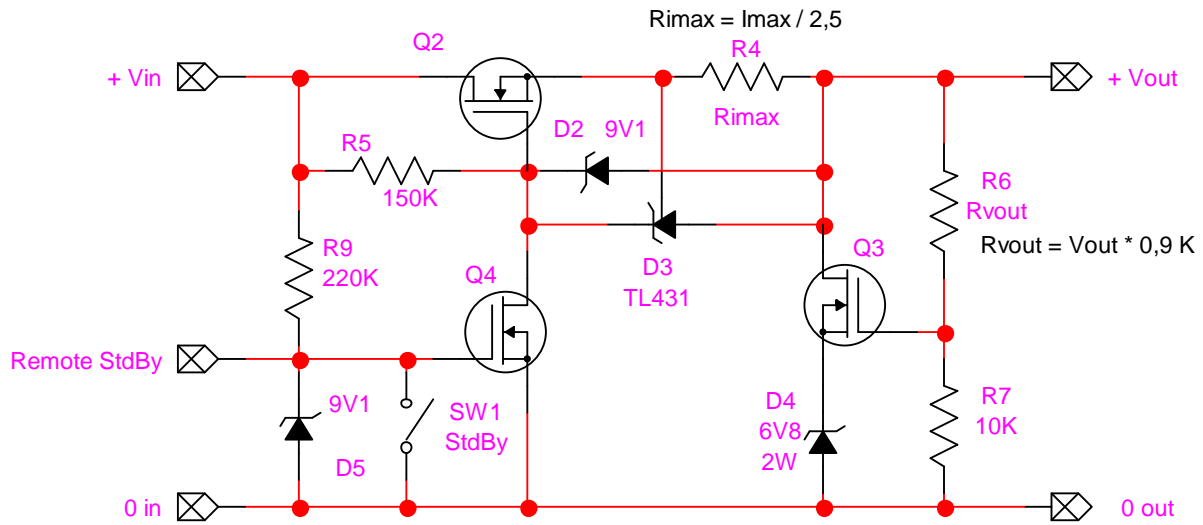


$$R_{dump} = (V_{in} - V_{out}) / I_{max}$$

$$P_{wRdump} = (V_{in} - V_{out}) * I_{max}$$



Minimalist presetable shunt regulator



Presetable shunt regulator with presetable current limit and remote stand by